

# BOOST YOUR BOTTOM LINE WITH IFP READYLINE!

HIWIN-compatible AirTAC linear guides are in stock, cut to length, and ready to ship with IFP's ReadyLine program.

Call (317) 852-5920 or email [websales@ifp1.com](mailto:websales@ifp1.com)



**AirTAC**

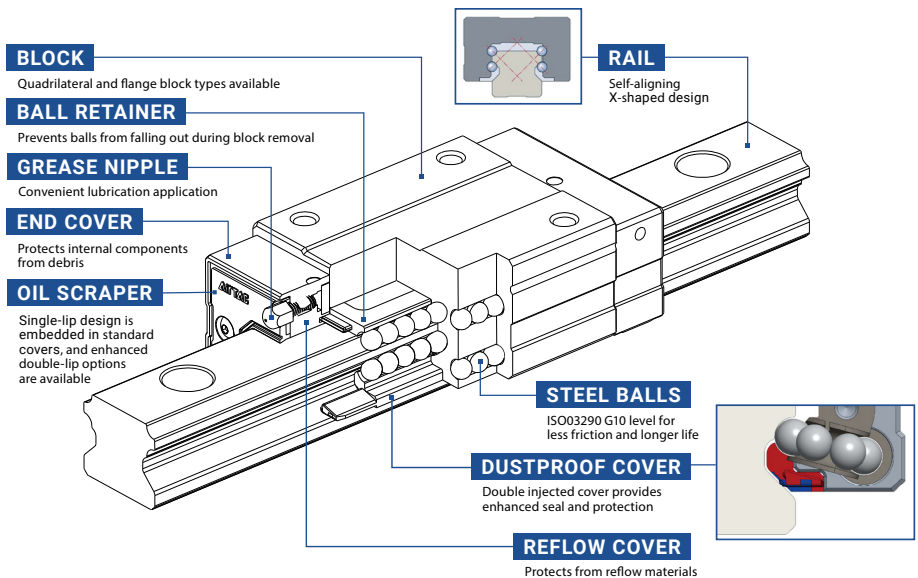
## AirTAC LSH Series Linear Guides Precision, Performance, and Affordability by Design

**Self-Adjusting Rails:** Even if a small misalignment exists on the mounting surface, the X-shaped (45°-45°) rail design can help absorb it to maintain highly precise, smooth, and stable linear motion.

**High Rigidity with Balanced Load Support:** The 45-degree contact angle of the steel balls ensures optimal two-point contact, evenly distributing loads in all four directions (radial and lateral). Pre-load can be added for enhanced rigidity when needed.

**Dustproof and Durable Design:** Built with protective features like dustproof covers and rugged construction, AirTAC guides minimize maintenance needs and extend the product's lifespan in harsh environments.

**Interchangeable:** Compatible with HIWIN and other industry-standard systems, allowing for seamless integration and replacement without costly system overhauls.



Don't wait! Order now for smoother operations, reduced downtime, and unparalleled value from IFP Automation.

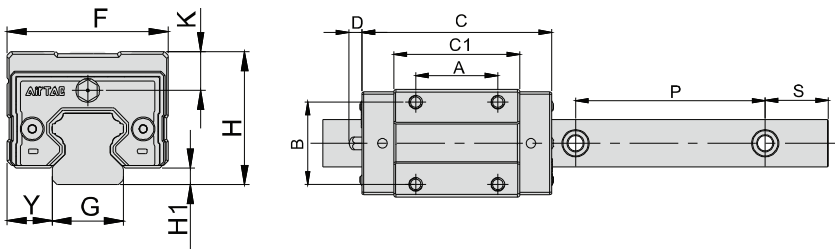


## ReadyLine Program Eligible AirTAC Parts

|                     | Size | Part Description | AirTAC Part #      | HIWIN Equivalent |
|---------------------|------|------------------|--------------------|------------------|
| Guaranteed In-Stock | 15   | RAIL             | LSH15RLX4000-N-D   | HGR15R4000C      |
|                     | 15   | SQUARE CARRIAGE  | LSH15BK-HN-N-D-M4  | HGH15CAZ0C       |
|                     | 15   | FLANGED CARRIAGE | LSH15BK-F3N-N-D-M4 | HGW15CCZ0C       |
|                     | 20   | RAIL             | LSH20RLX4000-N-D   | HGR20R4000C      |
|                     | 20   | SQUARE CARRIAGE  | LSH20BK-HN-N-D-M6  | HGH20CAZ0C       |
|                     | 20   | FLANGED CARRIAGE | LSH20BK-F3N-N-D-M6 | HGW20CCZ0C       |
|                     | 25   | RAIL             | LSH25RLX4000-N-D   | HGR25R4000C      |
|                     | 25   | SQUARE CARRIAGE  | LSH25BK-HN-N-D-M6  | HGH25CAZ0C       |
|                     | 25   | FLANGED CARRIAGE | LSH25BK-F3N-N-D-M6 | HGW25CCZ0C       |
|                     | 35   | RAIL             | LSH35RLX4000-N-D   | HGR35R4000C      |
|                     | 35   | SQUARE CARRIAGE  | LSH35BK-HN-N-D-M6  | HGH35CAZ0C       |
|                     | 35   | FLANGED CARRIAGE | LSH35BK-F3N-N-D-M6 | HGW35CCZ0C       |

## AirTAC LSH Series

### Standard Specifications & Dimensions



| Size (in mm) | TYPE    | Y    | H  | A  | C    | B  | P  |
|--------------|---------|------|----|----|------|----|----|
| 15           | SQUARE  | 9.5  | 28 | 26 | 60   | 26 | 60 |
|              | FLANGED | 16   | 24 | 30 | 60   | 38 | 60 |
| 20           | SQUARE  | 12   | 30 | 36 | 76.5 | 32 | 60 |
|              | FLANGED | 21.5 | 30 | 40 | 76.5 | 53 | 60 |
| 25           | SQUARE  | 12.5 | 40 | 35 | 83.5 | 35 | 60 |
|              | FLANGED | 23.5 | 36 | 45 | 83.5 | 57 | 60 |
| 35           | SQUARE  | 18   | 55 | 50 | 109  | 50 | 80 |
|              | FLANGED | 33   | 48 | 62 | 109  | 82 | 80 |

## IFP ReadyLine Program Perks to Perk You Up

**In-Stock & Ready to Ship:** No waiting—get the components you need when you need them.

**Custom Cutting:** Rails tailored to your exact specifications for a perfect fit.

**Significant Savings:** Cost-effective solutions without compromising on quality.

Get ready to simultaneously up your game and boost your bottom line.

# LET'S GET MOVING

Call (317) 852-5920 or email [websales@ifp1.com](mailto:websales@ifp1.com) to see how much you can save and get with the program.